



SURGE/DAY SERIES

Storage Bins



Technical Specifications

Our extensive line of stationary material holding bins are ideal for storing both raw materials and finished product. Ergonomically designed in a variety of standard and custom shapes, bins are available in various sizes to maximize and conserve handling time, space and energy. We also offer a complete line of components and accessories to complement your specific in-plant needs. Construction materials include carbon, stainless steel and aluminum. Specialty Agitator Bins are designed to enable difficult to flow materials (conductive to bridging and rat-holing) to be moved effectively.

Features

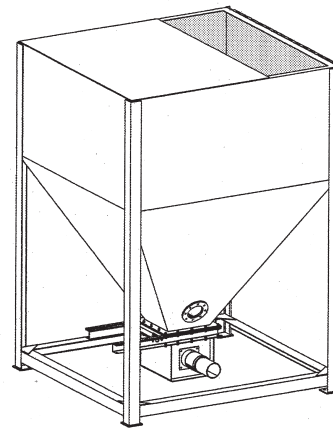
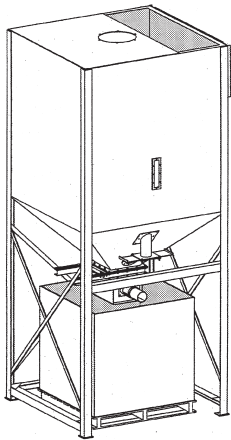
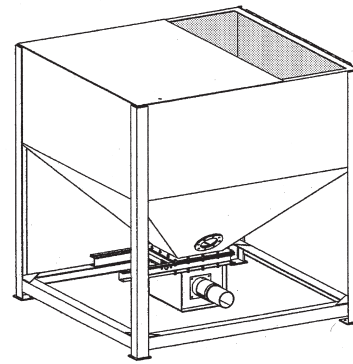
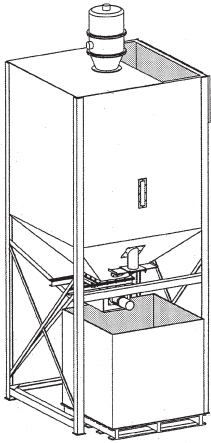
Standard Features

- 45 or 60 Degree Hoppers
- Heavy Duty Legs
- Bolt on covers
- Hi/Lo Level Openings
- Vacuum Receiver Cut Out In Cover
- 12" x 9" Hinged Inspection Hatch
- 20" Standard Clearance Beneath Discharge Flange
- 16" Discharge Flange to Accept
- 12" Manual Slide Gate
- Auger Discharge
- Vacuum Distribution Box
- Painted Warm Gray on Exterior Surface Only
- 4" Dia. View Window(s)
- Foot Pads

Optional Features

- Available in Various Materials of Construction
- Reinforced Covers for Large Vacuum Receivers or Other Equipment
- Air Filter for Inspection Hatch
- 2/3 Hinged Lid
- 3" x 5" card holder
- Filter mounted on Inspection Hatch
- Hi/Lo Level indication light with Light and horn
- Additional 4" dia. View Windows
- 12" Rach and Pinion Slide Gate
- Butterfly Valve for Gaylord Fill
- Extended 40" or 60" Legs with 3 Side Bracings for Bin

Product Diagrams



Specifications

Hopper incline	Dimensions, in.			Capacity, cu. ft.
	Length	Width	Height	
45°	54	54	56	36
			69	58
	60	60	78	86
			92	114
			107	145
			127	257
	72	72	98	172
			108	201
			117	228
			127	257
			137	286
			129	343
84	84	143	400	
		158	457	
		172	514	
		187	572	
		172	514	

Hopper incline	Dimensions, in.			Capacity, cu. ft.
	Length	Width	Height	
60°	54	54	64	36
			77	58
	60	60	88	86
			102	114
			117	145
			121	201
	72	72	111	172
			121	201
			130	228
			140	257
			150	286
			145	343
84	84	160	400	
		174	457	
		188	514	
		202	572	
		174	457	