

# SPC SERIES

## Vacuum Pumps



## Technical Specifications

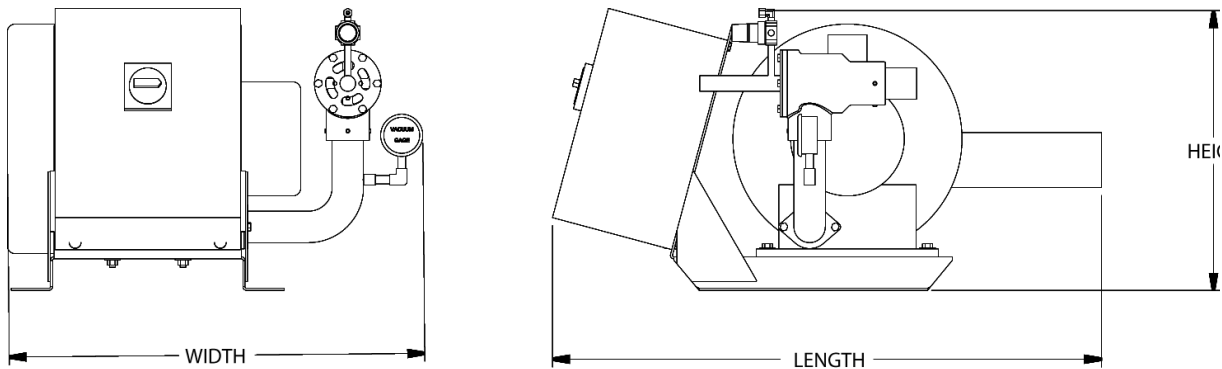
The SPC Vacuum Pump is a regenerative style vacuum pump that can be used in most central conveying systems. These pumps can convey free flowing materials to almost anywhere in your plant. In addition, these pumps produce less noise than many other style pumps giving you the strength you need at a sound level your employees will appreciate. SPC vacuum pumps are designed for 24 hour use and are among the most compact pumps in the industry. These pumps are ideal for most conveying rates at short to medium conveying distances.

## Features

### Standard Features

- Regenerative vacuum pump design
- Compact design
- Quiet operation without the need for a sound enclosure
- NEMA-12 junction box mounted on unit with motor starter and overload
- Vacuum Relief Valve
- Vacuum gauge
- Available in 3.5 - 5.0 HP motor sizes

### Product Diagrams



Models	Width in. (cm)	Length in. (cm)	Height in. (cm)	Weight lbs. (kg)
SPC 3.5	18.5 (47)	30.5 (77)	19.5 (50)	130 (59)
SPC 6.5	20 (51)	36 (91)	19.5 (50)	149 (68)

### Specifications

Models	Airflow		460V Power Unit		Vacuum Line Size	Material Line Size	Recommended Vacuum Receivers		Maximum Recommended Conveying Distance
	CFM	m <sup>3</sup> /hr	HP	kW	In., OD	In., OD	cu.ft	liters	ft (m)
SPC 3.5	106	180	3.5	2.6	2.0	1.5	0.1, 0.2, 0.4, 0.8	3.0, 6.0, 11.0, 23.0	0-150 (0-46)
SPC 6.5	152	258	5.0	3.7	2.0	2.0	0.1, 0.2, 0.4, 0.8, 1.6	3.0, 6.0, 11.0, 23.0, 45.0	0-300 (0-91)

### Full Load Amps

Model	230V	460V	575V
SPC 3.5	7.1	4.6	3.0
SPC 6.5	12.9	6.5	4.3