

# MH SERIES

## Machine Hopper



## Technical Specifications

MH Series Machine hopper loaders offer a unique mass flow and compact design. MH machine hoppers are available in non-insulated configurations.

### Features

#### Standard Features

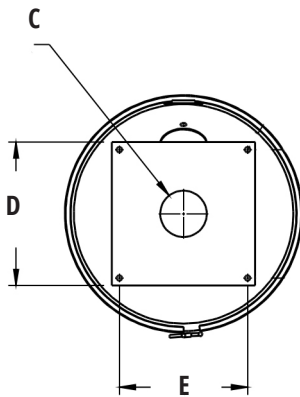
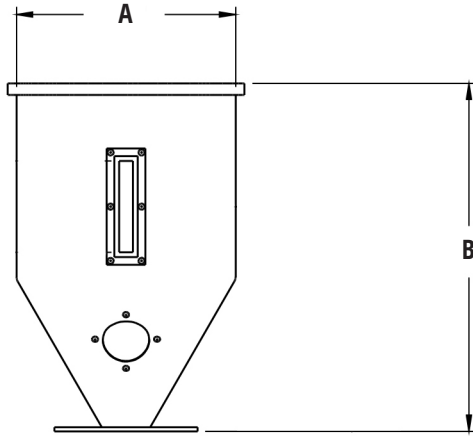
- Stainless steel construction
- Easy-view Lexan® sight glass
- 9.25" x 9.25" square flange
- Non-Insulated
- Standard top 11" BC Bolt Pattern

#### Optional Features

- Flange transition from 9.25" to 4" square
- Flange transition from 9.25" to 7" square
- Drawer magnet with slide gate
- Blank cover
- Manual fill cover
- Drain port 9.25" square

## Dimensions

Model	MHx.x			
	0.85	1.7	3.0	6.0
Capacity cu.ft (l)	0.82 (23.2)	1.32 (37.4)	3.5 (99.1)	6.35 (179.8)
Square Flange	9.25" x 9.25" (235 mm x 235 mm)			
Diameter in. (mm)	14 (356)		20 (508)	



MH Dimensions, in. (mm)					
Model	A	B	C	D	E
MH .85	14.15 (359)	22.45 (570)	3.00 (76.2)	9.25 (235)	8.27 (210)
MH 1.7	14.15 (359)	27.86 (708)	3.00 (76.2)	9.25 (235)	8.27 (210)
MH 3.0	20.15 (511)	37.31 (947)	3.00 (76.2)	9.25 (235)	8.27 (210)
MH 6.0	20.15 (511)	53.81 (1367)	3.00 (76.2)	9.25 (235)	8.27 (210)