



BULK BAG SERIES

Unloaders



Technical Specifications

Bulk Bag Unloaders are available for manual operation as well as fully automated units incorporating electric hoists, bag massagers, flow control valves, and various methods of conveying material out of bulk bags. Custom systems and accessories are available to assist in the discharge to process for materials of all types.

Features

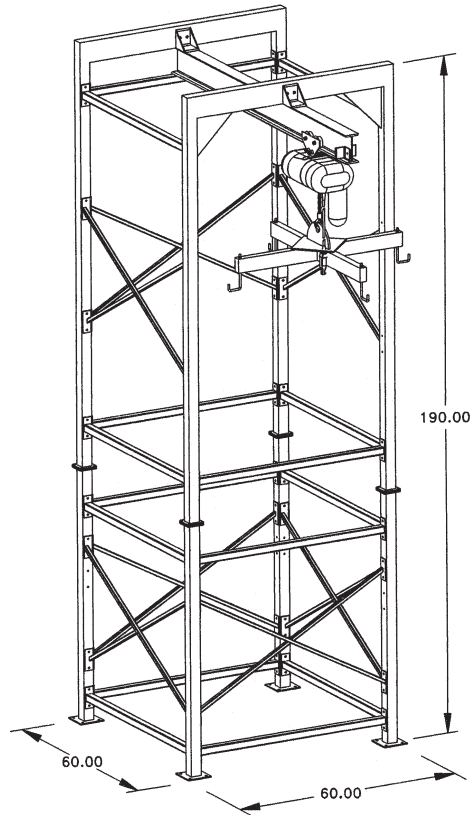
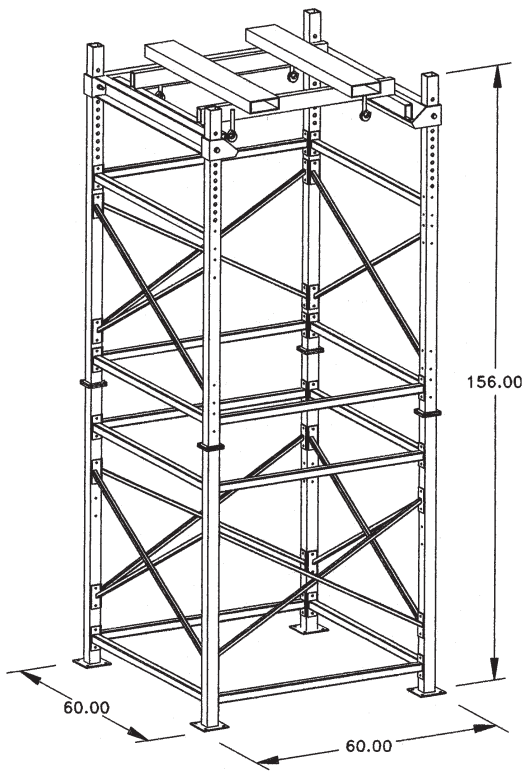
Standard Features

- Modular design support frame
- 4" x 4" x 3/16" square tube framing (may vary by model)
- Carbon Steel Construction
- Designed to meet or exceed ANSI and ASME standards
- 72" square footprint
- Multiple methods of supporting bags
 - Fork Lift Entry
 - Electric hoist

Optional Features

- Available in Various Materials of Construction
- Special Paint
- 1 ton electrical hoist, 15' chain, manual trolley
- 2 ton electrical hoist, 15' chain, manual trolley
- Soft stroke bag massager
- 12" Iris valve
- Bulk bag discharge spout receiver housing
- Bulk bag discharge hopper
- 5" coreless auger discharge

Product Diagrams



Specifications

Features

Manual bulk bag discharge frame, 60" x 60" x 156", bag support frame with fork lift entries (J Hooks) adjustable in 6" increments.

Electric hoist bulk bag discharge frame, 60" x 60" x 190", heavy-duty I beam for up to a 2 ton hoist.

Customer Supplied Hoist Loading, 72" x 72" frame with bulk bag interface.