

# SDA SERIES



## High Capacity Dehumidifying Dryers

### 350-500 CFM HIGH CAPACITY DEHUMIDIFYING DRYERS

These high capacity models feature twin plenum chambers in each tower for even air flow across desiccant beds. Skid-mounted construction lowers rigging, installation, and maintenance costs. The SDA Series high capacity dryers offer user-friendly, off-the-shelf controls. The unit provides a compact frame with minimum moving parts, easy accessibility for maintenance and a small footprint. Every dryer is factory-tested before shipment to assure reliable performance for years to come. Optimal desiccant utilization guarantees lowest dew point.



#### Features

- LED readout of set point & process temperatures
- Off-the-shelf programmable controller
- NEMA 12 control enclosure
- Dew point bed switching with dew point meter and dirty filter indication
- Process and regeneration air filters
- Off-the-shelf microprocessor-based PID temperature controller
- Mercury contactors on process heaters
- Branch fusing
- One (1) 12-foot length and one (1) 20-foot length of high-temperature flexible hose with four (4) clamps (SDA 600 model has [2] 12-foot lengths with [4] clamps)
- 4-way positive seal air-operated aluminum valves
- Regenerative type process blower
- Alarm indicator lights for :
  - High dew point
  - Dirty filter
  - High process temperature
  - Low process temperature
  - High-regeneration air temperature
  - Low-regeneration air temperature
  - Process blower failure
  - Regeneration blower failure
- Maximum standard temperature: 300°F (149°C). High temperature packages available
- 460/3/60 supply voltage
- Three (3) year temperature controller warranty

#### Options

- High temperature operation up to 400°F (204°C)
- 208 or 230/2/60, 380, 400 or 415/3/60; 380/3/60; 575/3/60
- Disconnect switch with door-mounted handle: 460/3/60 (non-fused); 230/3/60 (non-fused); 380, 400 or 415/3/50; 380/3/60; 575/3/60
- Heater burnout indicator (amp meters)
- Valve positioning error alarm
- Redundant high-temperature shut down
- 13X molecular sieve
- Audible and visual alarm annunciator
- High temperature process air delivery filter
- Return air temperature digital display
- 12 ft. insulated process hose
- 7 day timer
- External communication: SPI protocol dual ports, or NXprotocols types RS-232C/422/485 single port
- Less process heaters (HE style), less process heaters and controller (CHE style), less process blower, heaters and controller (BCHE style)
- Designed for elevations above 3000 ft.
- CUL compliance

#### Remote-mount dew point monitors:

Dew point monitors include: meter, set plugs and cord set for 115/1/60, sensor for delivery air, and lights. DMP20 model includes audible alarm with reset button; DMPS model includes output for remote alarm. DPM20 operating range is -40° to 10°F (-40° to -12°C). DPMS operating range is -80° to -20°F (-62° to -29°C)

# SDA SERIES

High Capacity  
Dehumidifying Dryers

## SPECIFICATIONS

Model	Airflow	Hose con. dia.	FLA	Process blower	Regen. Blower	Length	Width	Height	Shipping Weight
	cfm (cfh)	in (mm)	460/30/60	hp (kW)	hp (kW)	in (cm)	in (cm)	in (cm)	lbs. (kg)
SDA600	350 (595)	4 (101)	54	5 (3.73)	0.5 (0.37)	56 (142)	56 (142)	73 (185)	1000 (455)
SDA720	425 (720)	5 (127)	55	7.5 (5.6)	0.5 (0.37)	61 (155)	52 (132)	82 (208)	1100 (500)
SDA850	500 (850)	5 (127)	72	7.5 (5.6)	0.5 (0.37)	63 (160)	66 (168)	94 (239)	1200 (545)

## SDA-RT HIGH TEMPERATURE MODELS

	SDA600-RT	SDA720-RT	SDA850-RT
Amp Draw	64	67	75

## AFTER-COOLERS AND PRE-COOLERS

AFT350 through AFT500 models come standard with mild steel housing, copper/steel fin and coil heat exchanger, and flexible hose and clamps.

Aftercoolers are used in high temperature drying applications when process temperatures are above 250°F (121°C). Precoolers are used in low temperature drying applications to hold consistent process temperatures below 170°F (77°C).

Model	After-Cooler	Water Flow, gpm (lpm)	Fitting Size, in. (mm)	Shipping Wt., lbs. (kg)
SDA600	AFT350	7 (26)	0.75 (19)	100 (46)
SDA720	AFT425	10 (37)	1 (25)	120 (55)
SDA850	AFT500	10 (37)	1 (25)	120 (55)

After-coolers and pre-coolers are mounted to the frame and do not increase dryer size.

## REMOTE-MOUNT DEW POINT MONITORS

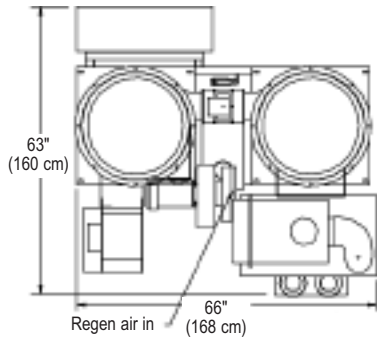
Dew point monitors include: meter, set plugs and cord set for 115/1/60, sensor for delivery air, and lights. DMP20 model includes audible alarm with reset button; DMPS model includes output for remote alarm.

DPM20 operating range is -40°F to 10°F (-40°C to -24°C)

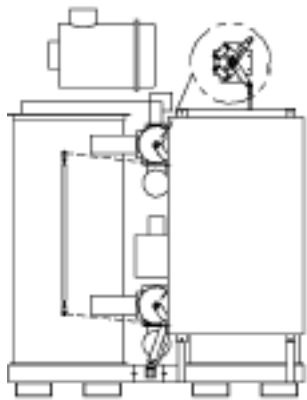
DPMS operating range is -80°F to -20°F (-62°C to -29°C)

# SDA SERIES

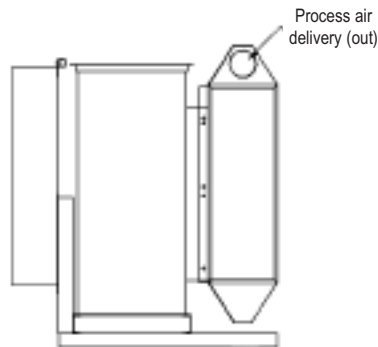
High Capacity  
Dehumidifying Dryers



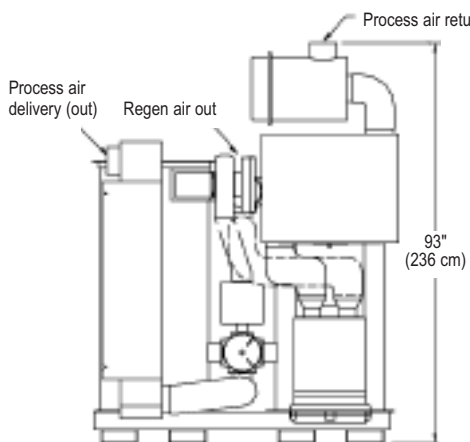
Top View



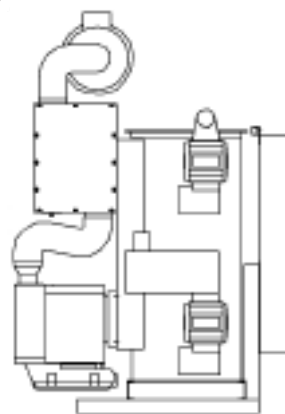
Front View



Right Side View



Rear View



Left Side View

# SDA SERIES

---

High Capacity  
Dehumidifying Dryers

NOTES:

