



## WATER TEMPERATURE CONTROL UNITS

### MICRO-MANAGE YOUR TEMPERATURE CONTROL NEEDS

From Sterling comes the new Micro Series, combining compact size and low price with the performance you've come to expect from the leader in temperature control. The Micro Series temperature control units occupy only about 1.5 square feet of floor space and they have a compact price to match. All this with a wealth of standard features and options, plus the dependability you can always count on from Sterling.

#### Features

- Easily removable panels for quick access to internal components
- Pressure switch
- NEMA 1 electrical enclosure
- 250°F maximum operating temperature
- Motor circuit protector
- Independent safety thermostat
- 1 year parts and labor warranty at the factory
- 3 year warranty on controller and probe

#### Options

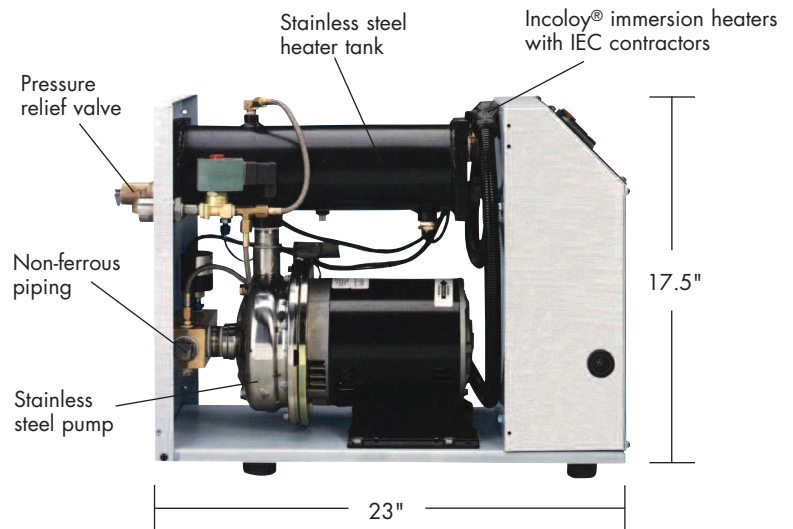
- Manual bypass
- Pressure regulator
- Y-strainer
- Quick-cool switch
- Auto system water purge
- Audible/visual alarm
- Remote start/stop
- RS232 or RS485 communications
- UL/cUL listed subpanel
- Disconnect switch
- Power cord
- Remote controller
- Casters in lieu of rubber feet



# MICRO SERIES



Pump Capacity	Heaters	Operating Temp.	Voltage	Controller	Dimensions L x W x H	Shipping Weight
1/2 hp 15 gpm	3, 6, 9 kW	250°F	208/3/60 VAC	Off-the-shelf 1/16th DIN processor-based PID controller	23" x 9.5" x 17.5"	110 lbs.
3/4 hp 20 gpm			230/3/60 VAC			



**Sterling New Berlin**  
 2900 S 160th Street  
 New Berlin, WI 53151 USA  
 Tel: +1 262 641 8610  
 Fax: +1 262 641 8653  
[www.sterlco.com](http://www.sterlco.com)

**Sterling Schaumburg**  
 1100 E Woodfield Rd #550  
 Schaumburg, IL 60173 USA  
 Tel: +1 847 273 7700  
 Fax: +1 847 273 7804

**Sterling Warsaw**  
 ul.Dziakowa 115  
 02-234 Warszawa  
 Tel: +48 22 390 9720  
 Fax: +48 22 390 9724

**Sterling India**  
 Gat No. 191/1, Sandbhor Complex,  
 Mhalunge, Chakan, Tal Khed,  
 Dist. Pune 410501, India  
 Tel: +91 21 35329112  
 Fax: +91 20 40147576

**Sterling Suzhou**  
 109 Xingpu Road SIP  
 Suzhou, China 215126  
 Tel: +86 512 8717 1919  
 Fax: +86 512 8717 1916

