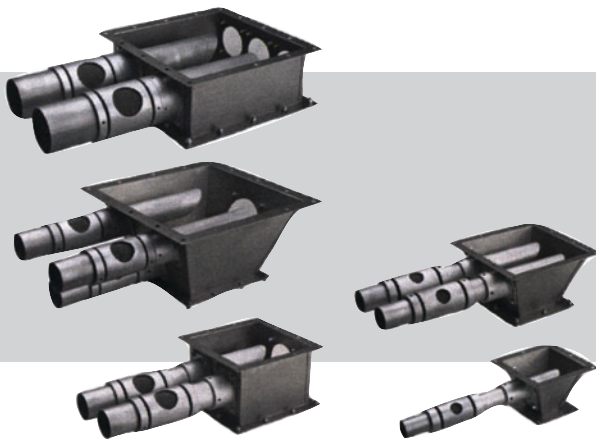


MTO SERIES



Take Off Boxes



VERSATILE MODULAR DESIGN ALLOWS FOR EASY ASSEMBLY AND CLEANOUT

Modular take-off boxes from Sterling are designed for free-flowing materials and provide durable construction in a simple, modular design. The MTO Series take-off boxes feature stainless steel construction with lightweight aluminum tube assemblies. The versatile modular design is compatible with a wide range of applications and allows for easy assembly and cleanout.

MTO take-off boxes are available in single or multiple line configurations. Models include complete clean-out type with tapered bottom, or box type, which provides various material line take-off configurations. All compartments have adjustable tubes or air/material balancing and a filter for air inlets.

MDT dual tube models are designed for regrind and non free-flowing material, such as flakes or powders. This type of box should also be used when conveying any type of material over 200 equivalent feet.

Features

- Stainless steel box
- Aluminum tubes
- Material viewport on body styles A, B, and C
- Available sizes: 16" (406 mm), 10" (254 mm), and 7" (178 mm) – square flanges

Options

- Material clean-out gate on bottom of box
- Blank plate on bottom of box
- Adapter plate to mate to 7" x 7" or 9" x 9" square flange drying hoppers
- Take-off tubes: 1.5", 2", 2.5", 3", 3.5", 4"
- Dual tube models for regrind and non-free-flowing materials



FEVTO, EVTO, FCO SERIES

Take Off
Compartments



FEVTO style

EVTO style



Take-Off Compartments

FCO Series fast clean-out vacuum take-off compartments meter free-flowing pellets into a vacuum conveying system.

FEVTO and EVTO filtered expandable and expandable vacuum take-off compartments are ideal for metering regrind and PVC, and for distances greater than 200 feet.

Features

FCO

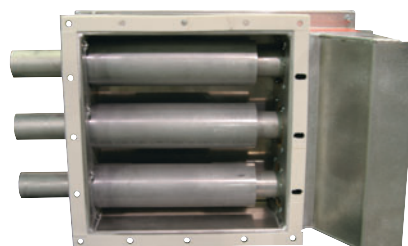
- Standard conveying with ambient air
- Mild or stainless steel construction
- 10" square flange
- Fast cleanout design
- Single position
- 1.25", 1.5", 2.0", 2.5", 3.0" tube size

FEVTO, EVTO

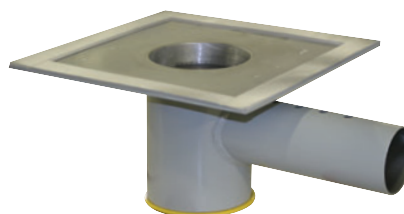
- Standard conveying with ambient air
- Aluminum construction
- 10" square mounting flange
- 3 tubes
- 1.5", 2.0", 2.25", 2.5" OD tube sizes
- Expandable up to nine tubes using EVTO sections

Options

- Material clean-out gate (FEVTO, EVTO models)
- Dry air conveying tube stub
- Flange adapters
- Drain gate (FEVTO, EVTO models)



FEVTO style



FCO style



PRODUCT. PERFORMANCE. EXCELLENCE.

2900 S 160th Street
New Berlin, Wisconsin 53151 USA
Ph: 262.641.8610 Fax: 262.641.8653



Granulate



Regulate



Automate



Integrate