

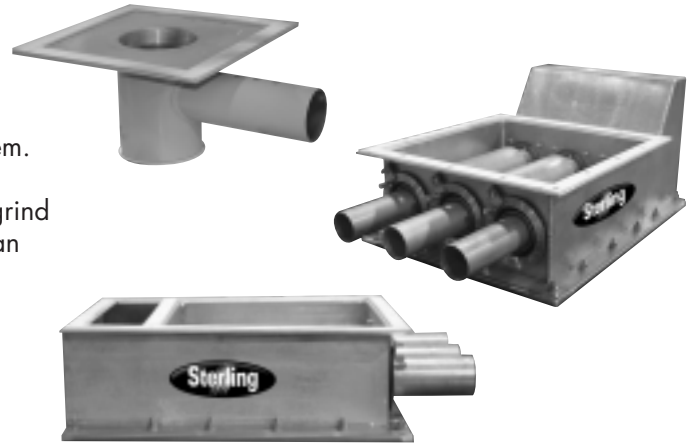
# FCO, FEVTO, EVTO SERIES



Vacuum Take-Off  
Compartments

## IDEAL FOR REGRIND AND HARD-TO-FLOW MATERIALS

FCO Series fast clean-out vacuum takeoff compartments meter free-flowing pellets into a vacuum conveying system. FEVTO and EVTO filtered expandable and expandable vacuum takeoff compartments are ideal for metering regrind and hard-to-flow materials, and for distances greater than 200 feet.



### Features

#### FCO

- Standard conveying with ambient air
- Mild or stainless steel construction
- 10 square flange
- Fast cleanout design
- Single position
- 1.25 , 1.5 , 2.0 , 2.5 , 3.0 tube size

#### FEVTO, EVTO

- Standard conveying with ambient air
- Aluminum construction
- 16 square mounting flange
- 3 tubes
- 1.5 , 2.0 , 2.25 , 2.5 OD tube sizes
- Expandable up to nine tubes using EVTO sections

### Options

- Material cleanout gate (FEVTO, EVTO models)
- Dry air conveying tube stub
- Flange adapters
- Drain gate (FEVTO, EVTO models)

# FCO, FEVTO, EVTO SERIES

## Vacuum Take-Off Compartments

### FCO FAST CLEAN-OUT TAKE-OFF COMPARTMENTS

Model	Tube dia. OD, in.	Dry air tube dia. OD, in.	Flange size, in. *
FCO1.25	1.25	n/a	6.75 dia.
FCO1.5	1.5	n/a	10 x 10 square
FCO1.5D	1.5	2.0	10 x 10 square
FCO2.0	2.0	n/a	10 x 10 square
FCO2.0D	2.0	2.5	10 x 10 square
FCO2.5	2.5	n/a	10 x 10 square
FCO2.5D	2.5	2.5	10 x 10 square
FCO3.0	3.0	n/a	10 x 10 square
FCO3.0D	3.0	3.5	10 x 10 square

\* 6.75" round flange is available at no charge on the 1.5 and 2.0 models.  
Floor or cart mount DH1.5-DH6.0 mass flow drying hoppers require round flange clamp assembly.

### EVTO/FEVTO EXPANDABLE TAKE-OFF COMPARTMENTS

Model Number	Type	Line size OD, in.	Flange Size, in.
6F1.5A3	FEVTO	1.5	16.25 x 16.25 square
6F2A3	FEVTO	2	16.25 x 16.25 square
6F2.25A3	FEVTO	2.25	16.25 x 16.25 square
6F2.5A3	FEVTO	2.5	16.25 x 16.25 square
6E1.5A3	EVTO	1.5	16.25 x 16.25 square
6E2A3	EVTO	2	16.25 x 16.25 square
6E2.25A3	EVTO	2.25	16.25 x 16.25 square
6E2.5A3	EVTO	2.5	16.25 x 16.25 square