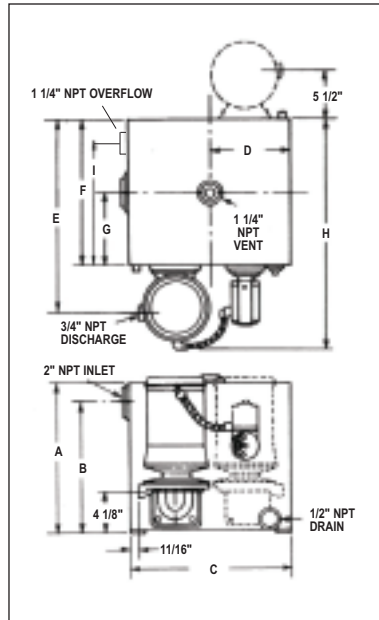
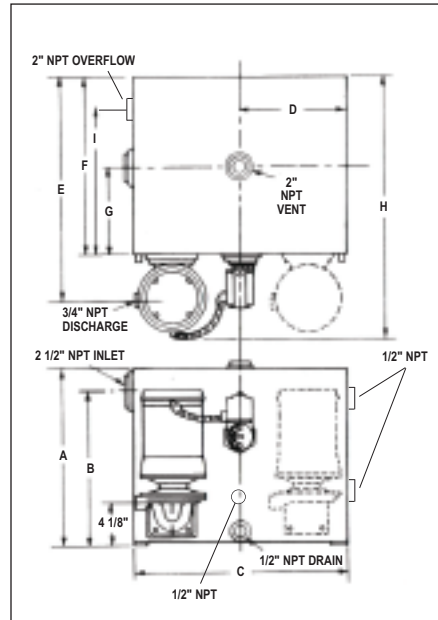


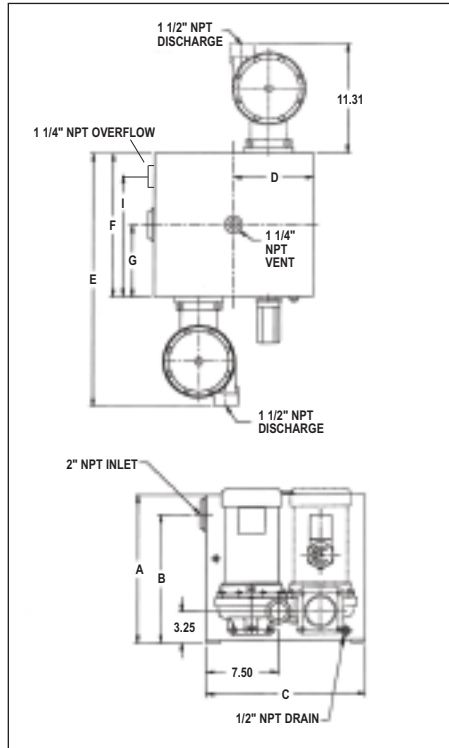
**G SERIES
8 GALLON TANK**



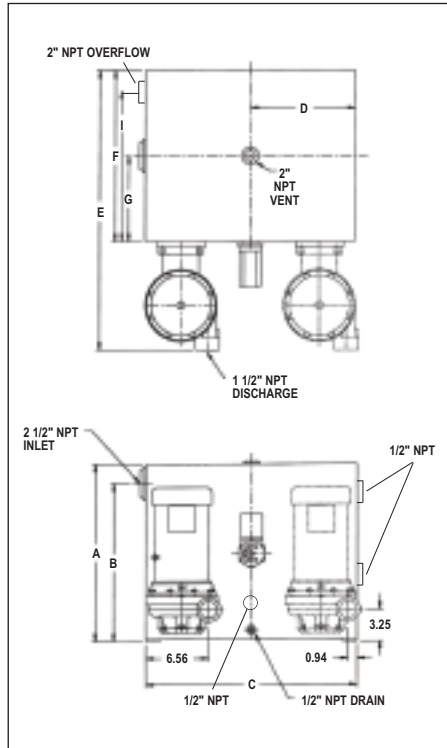
**G SERIES
15 GALLON TANK**



**G SERIES
30-120 GALLON TANKS**



**J SERIES
15 GALLON TANK**



**J SERIES
30-120 GALLON TANKS**

Receiver	A	B	C	D	E	F	G	H	I
8 G	12.50	10.50	12.50	6.25	18.00	12.50	6.25	21.50	10.25
15 G	15.38	13.38	16.50	8.25	20.50	15.00	7.50	25.00	12.00
15 J	15.38	13.38	16.50	8.25	26.31	15.00	7.50		12.00
30 G	18.38	16.12	22.00	11.00	23.50	18.00	9.00	28.00	13.50
30 J	18.38	16.12	22.00	11.00	29.31	18.00	9.00		13.50
45 G	26.38	24.12	22.00	11.00	23.50	18.00	9.00	28.00	13.50
45 J	26.38	24.12	22.00	11.00	29.31	18.00	9.00		13.50
60 G	28.38	26.12	28.00	14.00	23.50	18.00	9.00	28.00	13.50
60 J	28.38	26.12	28.00	14.00	29.31	18.00	9.00		13.50
95 G	28.38	26.12	28.00	14.00	33.50	28.00	14.00	38.00	23.50
95 J	28.38	26.12	28.00	14.00	39.31	28.00	14.00		23.50
120 G	36.38	33.75	28.00	14.00	33.50	28.00	14.00	38.00	23.50
120 J	36.38	33.75	28.00	14.00	39.31	28.00	14.00		23.50



2900 S 160th Street
 New Berlin, Wisconsin 53151
 Tel. 262.641.3808 Toll Free 888.777.4085 Fax 262.641.8625
 ©2007 Sterling www.steamcontrolproducts.com

STERLCO® PRODUCTS INCLUDE: HAND RADIATOR VALVES • THERMOSTATIC TRAPS • FLOAT AND THERMOSTATIC TRAPS • INVERTED BUCKET TRAPS • CAST IRON STRAINERS • BRASS STRAINERS • TANK AND PROCESS TEMPERATURE CONTROL VALVES • BOILER FEED UNITS • CONDENSATE PUMPS



CONDENSATE PUMPS 4300 SERIES STAINLESS STEEL TANK

ENERGY EFFICIENT DESIGN, PROVEN PERFORMANCE AND THE RIGHT SIZE FOR YOUR APPLICATION

Sterlco® Condensate Return Pumps set new standards of performance. Reliable and efficient, each unit features heavy gauge, 3/16" stainless steel receivers for long operating life. In addition, 3450 RPM motors assure maximum efficiency while maintaining minimum motor horsepower. Available in a wide range of sizes, these U.S. made pumps have just the right accessories and options to meet your unique needs. What's more, a nationwide network of stocking distributors means fast, easy, year-round access to pumps and replacement parts.



FEATURES

- Heavy gauge stainless steel receivers
- Simplex or duplex construction
- Bronze fitted centrifugal pumps
- Energy efficient 3450 RPM motors
- Automatic venting
- "Sterl-Seal" ceramic pump seal
- Heavy-duty float switch
- Wide range of options and accessories





Built-In Features For Precise, Dependable Performance

- **Motors:** Heavy-duty, ballbearing, close-coupled pump motors with stainless steel shaft. 3450 RPM for greater efficiency and more economical operation.
- **Float Switch:** Two-pole, drip proof case, stainless steel float and float rod, double-break silver-to-silver contacts. Float travel adjustment is easy, visible and accessible.
- **Automatic Venting:** Provides for efficient operation and long life by venting air and flushing seal area.
- **Large Tanks:** Plenty of capacity for maximum rating of pump. Return inlet is low. Occupies a minimum of floor space.
- **Centrifugal Pump:** Offers a wide range of pressures and GPM. Unique design features provide for ease of servicing.
- **Impeller:** Made of brass for long life. Efficient design provides maximum capacity, minimum motor load.
- **"SterlSeal" Pump Seal (A):** Features the ultimate in ceramic technology for exceptionally long life. Because the seal runs on the bronze impeller hub, the motor shaft is literally outside the pump. Consequently, the shaft is not exposed to corrosion by condensate. Rated for temperatures up to 250°F.
- **Isolation Valve (B):** Optional on 4300 Series Condensate Pumps



Complete NEMA 12 Control Panel (Optional)

Motor Circuit Protector, HOA Selector Switch, External Reset, Control Circuit Transformer, Pilot Light (pump running), Removable Mounting Plate and Terminal Strip in a Single NEMA 12 Enclosure, Mounted and Wired, with Single Point Power Connection.

Special Options

- Mechanical and electrical alternators
- Gauge glass
- Thermometer
- Discharge pressure gauges
- Isolation valves
- Special motor construction, such as totally enclosed and explosion proof, is available
- Magnetic starters with H-O-A selector switches
- 1750 RPM motors, larger pumping capacities and higher discharge pressures - consult factory
- 120 gallon and custom sized tanks available
- Complete NEMA 12 Control Panel

4300 Series Engineering and Capacity Data

CAPACITY SQ. FT. E.D.R.	DISCHARGE PRESSURE P.S.I.	PUMP CAP. G.P.M.	MOTOR H.P.	REC. CAP. GAL.	UNIT MODEL NO.		SHIPPING WT. LBS.	
					SIMPLEX	DUPLEX	SIMPLEX	DUPLEX
8,000	20	12	1/3	8	4028-GS	--	90	--
2,000 4,000 6,000 8,000	20	3 6 9 12	1/3 1/3 1/3 1/3	15	4322-G 4324-G 4326-G 4328-G	4322-GD 4324-GD 4326-GD 4328-GD	125 125 125 125	185 185 185 185
10,000 15,000 20,000	20	15 22.5 30	1/2 1/2 3/4	30	43210-G 43215-G 43220-G	43210-GD 43215-GD 43220-GD	190 190 200	240 240 250
25,000 30,000	20	37.5 45	3/4 1	45	43225-J 43230-J	43225-JD 43230-JD	285 285	350 355
40,000 50,000	20	60 75	1-1/2 2	60 95	43240-J 43250-J	43240-JD 43250-JD	335 385	405 460
2,000 4,000 6,000 8,000 10,000	30	3 6 9 12 15	1/2 1/2 1/2 1/2 3/4	15	4332-J 4334-J 4336-J 4338-J 43310-J	4332-JD 4334-JD 4336-JD 4338-JD 43310-JD	180 180 180 180 185	250 250 250 250 255
15,000 20,000	30	22.5 30	1 1	30	43315-J 43320-J	43315-JD 43320-JD	230 230	300 300
25,000 30,000	30	37.5 45	1 1-1/2	45	43325-J 43330-J	43325-JD 43330-JD	285 290	350 355
40,000 50,000	30	60 75	2 3	60 95	43340-J 43350-J	43340-JD 43350-JD	340 395	410 470
2,000 4,000 6,000 8,000 10,000	40	3 6 9 12 15	1 1 1 1 1	15	4342-J 4344-J 4346-J 4348-J 43410-J	4342-JD 4344-JD 4346-JD 4348-JD 43410-JD	190 190 190 190 190	270 270 270 270 270
15,000 20,000	40	22.5 30	1-1/2 1-1/2	30	43415-J 43420-J	43415-JD 43420-JD	240 240	310 310
25,000 30,000	40	37.5 45	1-1/2 2	45	43425-J 43430-J	43425-JD 43430-JD	290 295	355 360
40,000 50,000	40	60 75	2 3	60 95	43440-J 43450-J	43440-JD 43450-JD	340 395	410 470
2,000 4,000 6,000 8,000 10,000	50	3 6 9 12 15	2 2 2 2 2	15	4352-J 4354-J 4356-J 4358-J 43510-J	4352-JD 4354-JD 4356-JD 4358-JD 43510-JD	195 195 195 195 195	275 275 275 275 275
15,000 20,000	50	22.5 30	2 3	30	43515-J 43520-J	43515-JD 43520-JD	245 255	320 330
25,000 30,000	50	37.5 45	3 3	45	43525-J 43530-J	43525-JD 43530-JD	305 305	385 385
40,000 50,000	50	60 75	5 5	60 95	43540-J 43550-J	43540-JD 43550-JD	370 430	500 560

Sample Specification

Furnish and install, where indicated on plans, a Sterling 4300 Series (simplex or duplex) condensate pump, having a capacity of _____ sq. ft. E.D.R., _____ GPM against a discharge pressure of _____ PSI. The receiver shall have a capacity of _____ gallons and be of 3/16" stainless steel construction. Pump(s) shall be of the centrifugal type with two-piece enclosed brass impeller, cast iron housing, high temperature (250°F) mechanical seal

and stainless steel motor shaft. The float switch shall be two-pole with plastic case, stainless steel float and shaft, and double-break silver contacts. A flat perforated brass strainer shall be provided at the inlet to the pump from the tank. The motor(s) shall be vertical, 3450 RPM, _____ phase, _____ volt, 60 cycle, _____ H.P. The complete unit is to be factory assembled and tested prior to shipment.